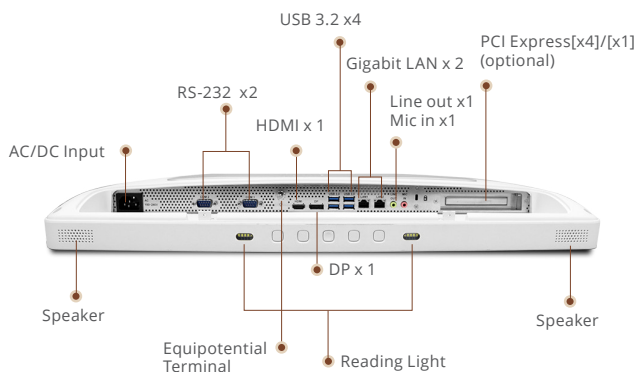
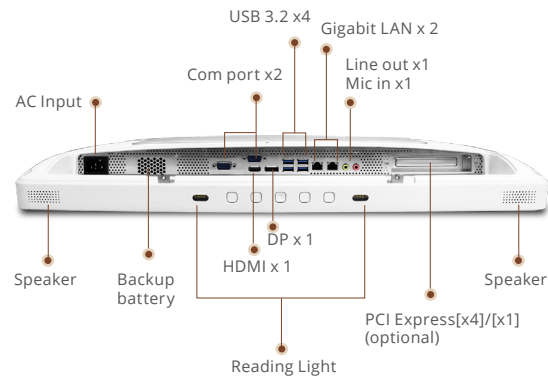


Powerful Medical All in One PC

MATE2-2410

24" Fanless 9th Generation Core i7 Powerful Medical All in One PC



Features

- Intel® 9th Generation Core™ i7/ i5 Processor
- Supports Dual Channel DDR4 2666 SODIMM up to 64GB
- 24" Full HD High Contrast LCD
- Capacitive Multi-Touch Screen
- Two Gigabit Ethernet
- High Speed USB 3.2 Gen1 Ports
- RS-232 x 2
- 8MP Camera with Mic (optional)
- PCI-Express [x4] / [x1] (optional)
- 25Wh Backup Battery (optional)
- Imprivata RFID Reader (optional)
- Reading Light

Specifications

MAIN SPECIFICATIONS

Processor	Intel® 9th Generation Core i7-9700TE 8 Cores 3.8GHz Intel® 9th Generation Core i5-9500TE 6 Cores 3.6GHz
System Memory	Supports Dual Channel DDR4 2666 SODIMM up to 64GB
Chipset	Intel® H310
OS Support	Windows® 10, Windows® 11, Linux®
Storage Disk Drive	M.2 2242 SATA SSD x 1 2.5" SATA Hard Disk Drive/SSD x 1 (optional)
Security	Trusted Platform Module 2.0 , Imprivata RFID Reader (optional)
Wireless Communication	802.11 ac(optional), 802.11 ax (optional), Bluetooth 5 (optional)
Speaker	2W x 2
Function Key	LCD Brightness Up/Down, Touch Screen On/Off, Reading Light On/Off
Power Requirement	AC 100~240V / DC 12V / 24V

DISPLAY

Size	24" LCD
Resolution	1920 x 1080
Luminance	250 nits
View Angle	178°(H)/178°(V)
Contrast Ratio	3000:1
Back Light Life Time	30,000 Hours
Touch Screen	Capacitive Multi-Touch

I/O

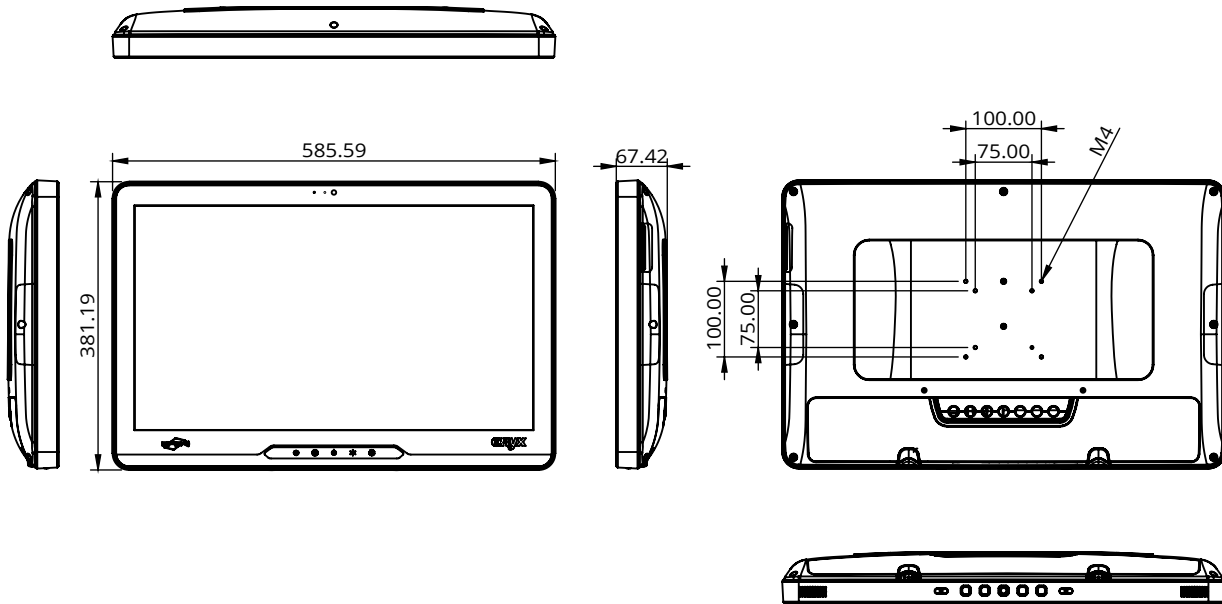
USB	USB 3.2 Gen 1 x 4 , Isolated USB 2.0 Full Speed x4 (optional)
Serial Port	RS-232 x 2
Ethernet	1.5KV Isolated Gigabit LAN x 2
Video Out	Display Port 1.2 x1, HDMI 1.4b x 1 (Supports resolution up to 3840 x 2160)
Audio	Mic-in, Line-out

MECHANICAL AND ENVIRONMENTAL

Operating Temperature	0°C ~ 35°C(32°F ~ 95°F)
Storage Temperature	-20°C ~ 60°C(-4°F ~ 140°F)
Mounting VESA	75/100 mm
Degree of Protection	IP65 in the front ; IP54 in the back
Dimension	586 x 381 x 67mm
Package Size	755 x 195 x 528mm
Gross Weight	14 kg (30.86 lb)
Net Weight	8.7 kg(19.2 lb)
Certifications	CE: EN 60601-1-2:2015(V4.0), EN 60601-1:2006/A1:2013(V3.1) FCC: Part 18 Class B UL: ANSI/AAMI ES60601-1:2012 (V3.1) cUL: CAN/CSA-C22.2 No. 60601-1:2014 (V3.1)

24" Fanless 9th Generation Core i7 Powerful Medical All in One PC

Dimension / Unit: mm



Ordering Information

- **MATE2-2410-P1-A1/B1-0010**
Medical Panel PC, 24" LCD, Capacitive Touch, i7-9700TE, AC 100~240V / DC 12V
- **MATE2-2410-P2-A1/B1-0010**
Medical Panel PC, 24" LCD, Capacitive Touch, i5-9500TE, AC 100~240V / DC 12V
- **MATE2-2410-P1-A2/B2-0010**
Medical Panel PC, 24" LCD, Capacitive Touch, i7-9700TE, Backup Battery, AC 100~240V / DC 12V
- **MATE2-2410-P2-A2/B2-0010**
Medical Panel PC, 24" LCD, Capacitive Touch, i5-9500TE, Backup Battery, AC 100~240V / DC 12V
- **MATE2-2410-P1-A3/B3-0010**
Medical Panel PC, 24" LCD, Capacitive Touch, i7-9700TE, RFID Reader, AC 100~240V / DC 12V
- **MATE2-2410-P2-A3/B3-0010**
Medical Panel PC, 24" LCD, Capacitive Touch, i5-9500TE, RFID Reader, AC 100~240V / DC 12V
- **MATE2-2410-P1-A4/B4-0010**
Medical Panel PC, 24" LCD, Capacitive Touch, i7-9700TE, RFID Reader, Backup Battery, AC 100~240V / DC 24V
- **MATE2-2410-P2-A4/B4-0010**
Medical Panel PC, 24" LCD, Capacitive Touch, i5-9500TE, RFID Reader, Backup Battery, AC 100~240V / DC 24V

Optional Accessories

- **OPM-R03X-A1**
PCI Express[x1] Riser Kit
- **OPM-R04X-A1**
PCI Express[x4] Riser Kit
- **OPM-C15W-A6**
WLAN Kit, IEEE 802.11ac + Bluetooth 5.1
- **OPM-C18W-A2**
WLAN Kit, IEEE 802.11ax + Bluetooth 5.2
- **OPM-V06C-A1**
8M Pixels Camera with Mic
- **OPM-T038-A1**
2.5" SSD/HDD Kit
- **OPM-C02C-A1**
Two Isolated RS-232 & One Isolated USB 2.0 Full Speed PCIe Card
- **OPM-C02C-A2**
Two Isolated RS-232 PCIe Card
- **OPM-C07U-A3/A4**
Four Isolated USB 2.0 Full Speed Kit
- **1255301601**
Medical Power Adapter, 160W, 12V